

OVERALL ASSEMBLY DIMENSIONS:

EXTERNALS - 104.5 x 61.3 x 27.5

INTERNALS - 99 x 56 x 22

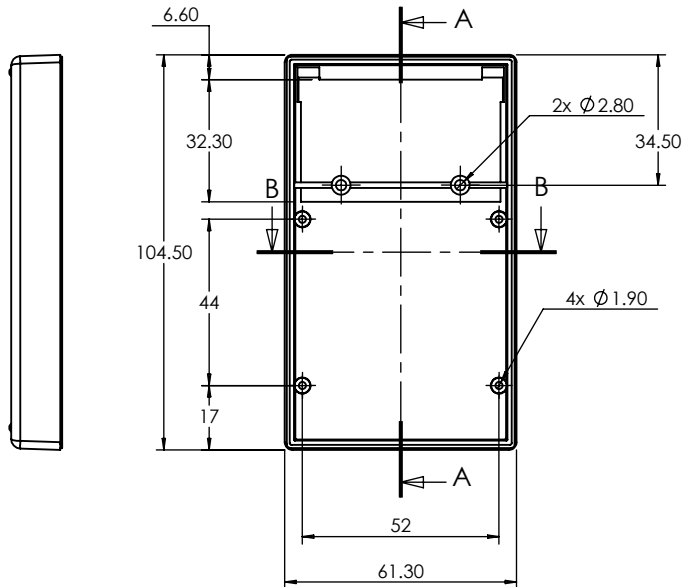
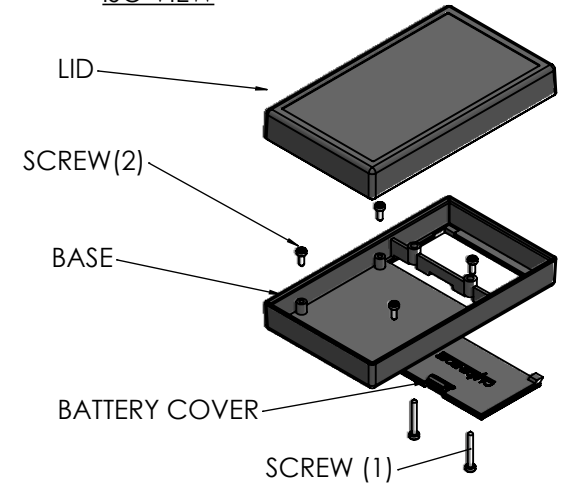


SECTION B-B

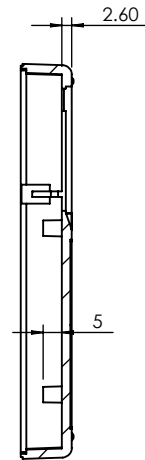


SECTION C-C

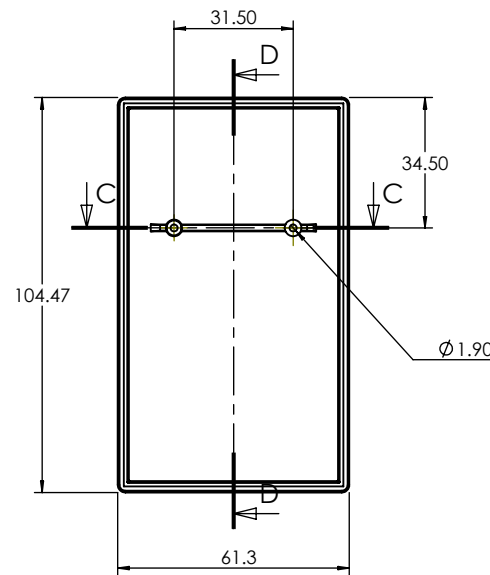
ISO VIEW



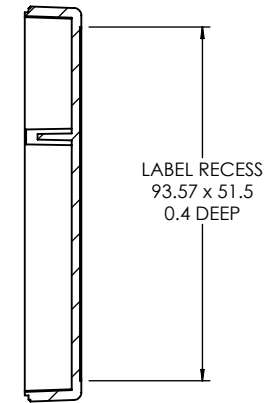
BASE



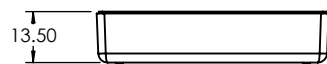
SECTION A-A



LID



SECTION D-D



 JAMES CARTER RD, MILDENHALL, SUFFOLK. IP28 7DE TEL: 01638 716101 FAX: 01638 716554 EMAIL: Sales@CamdenBoss.com WEB: www.CamdenBoss.com				UNLESS OTHERWISE SPECIFIED: DIMENSIONS ARE IN MILLIMETERS		DO NOT SCALE DRAWING		REVISION. 0		
				FINISH. SMOOTH		TITLE: ASSEMBLY DRG FOR CHH29101				
DRAWN IAN PAGANO		SIGNED I.P.		DATE 18/07/13		MATERIAL. ABS		DWG NO. CHH29101		A4
CHKD -		-		-		PROJECTION. 		SCALE: 1 : 2		SHEET 1 OF 1