

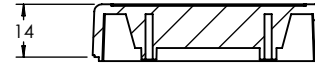
OVERALL ASSEMBLY DIMENSIONS:

EXTERNALS - 104.5 x 61.3 x 27.5

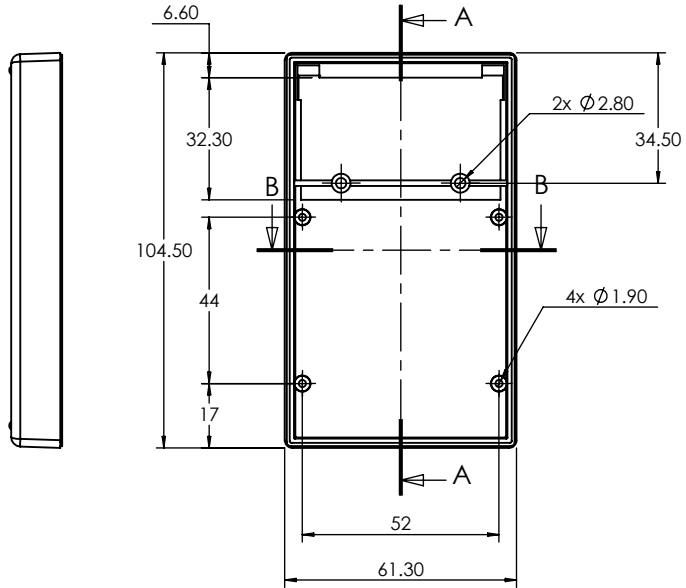
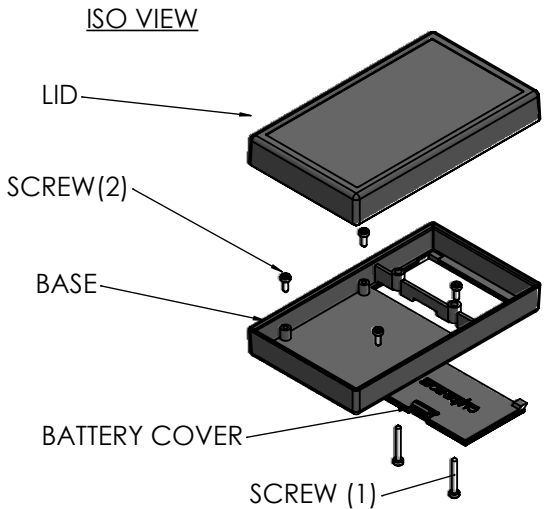
INTERNALS - 99 x 56 x 22



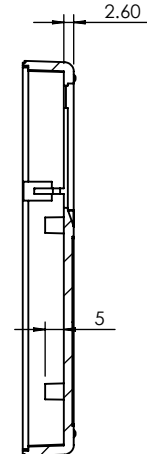
SECTION B-B



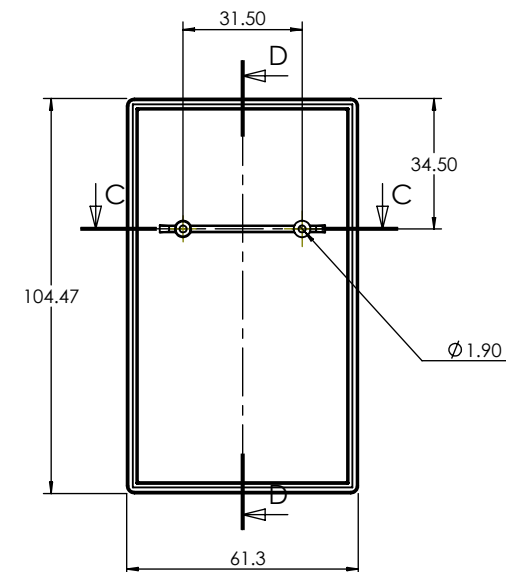
SECTION C-C



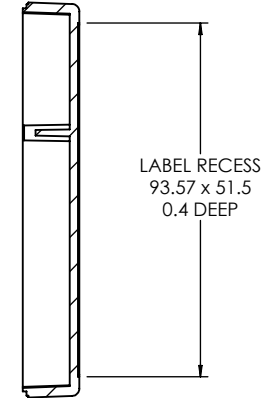
BASE



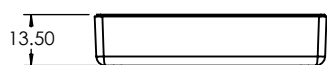
SECTION A-A



LID



SECTION D-D



 JAMES CARTER RD, MILDENHALL, SUFFOLK. IP28 7DE TEL: 01638 716101 FAX: 01638 716554 EMAIL: Sales@CamdenBoss.com WEB: www.CamdenBoss.com				UNLESS OTHERWISE SPECIFIED: DIMENSIONS ARE IN MILLIMETERS		DO NOT SCALE DRAWING	REVISION. 0
				FINISH. <b>SMOOTH</b>		TITLE: <b>Dimension Drawing For 2910 Series Mobile Case Size 1 Grey</b>	
MATERIAL. <b>ABS</b>		DWG NO. <b>CHHMC01GY</b>		A4			
DRAWN	IAN PAGANO	SIGNED	I.P.	DATE	18/07/13	SCALE: 1 : 2	SHEET 1 OF 1
CHKD	-	-	-	-	-	PROJECTION.	