

OVERALL ASSEMBLY DIMENSIONS:

EXTERNAL - 144.5 x 80 x 34

INTERNAL 138.5 x 74 x 28

(1) 4x UNIT ASSEMBLY SCREW

(2) 5x INTERNAL MOUNTING SCREWS

BATTERY COVER

SCREW (1)

LID

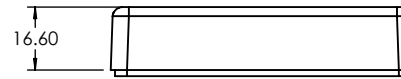
SCREW (2)

BASE

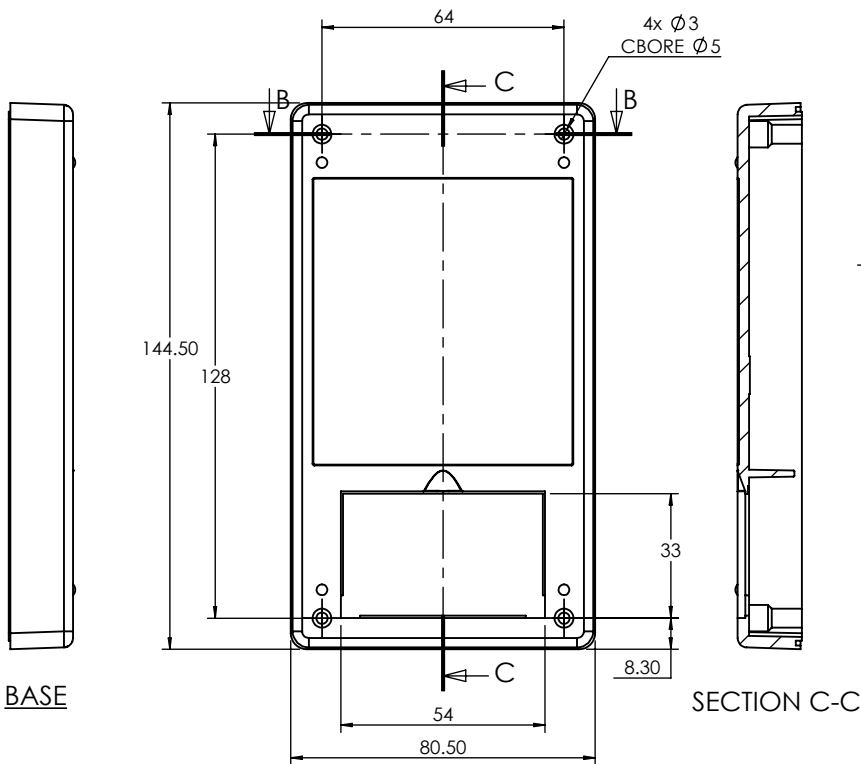
ISO VIEW  
1:3



SECTION B-B

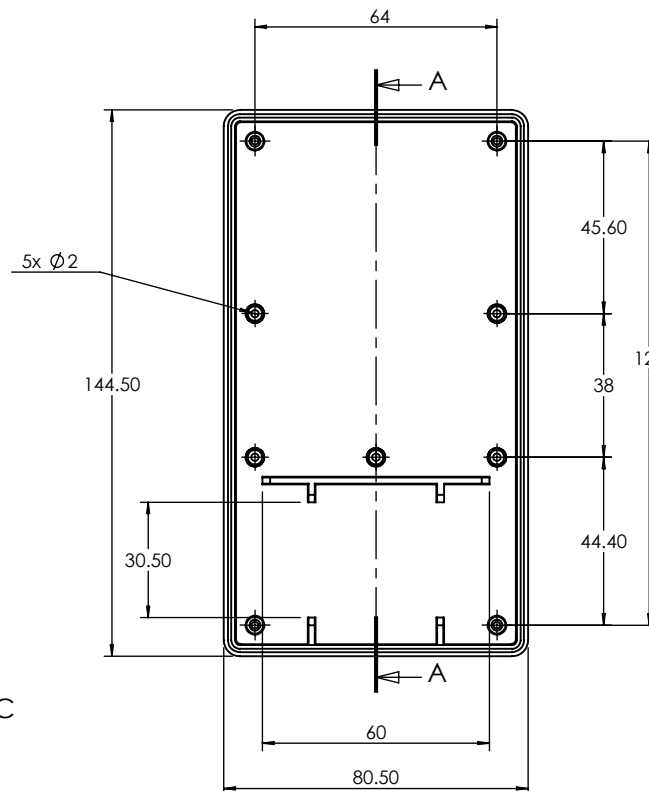


16.60



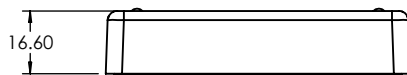
BASE

SECTION C-C



SECTION A-A  
SCALE 1 : 2

LID



16.60

**CAMDENBOSS**  
ELECTRONICS & ENCLOSURES

JAMES CARTER RD, MILDENHALL, SUFFOLK. IP28 7DE  
TEL: 01638 716101 FAX: 01638 716554  
EMAIL: Sales@CamdenBoss.com  
WEB: www.CamdenBoss.com

UNLESS OTHERWISE SPECIFIED:  
DIMENSIONS ARE IN MILLIMETERS

GENERAL TOLERANCES +/- 0.2

FINISH. LIGHT SPARK

MATERIAL. ABS

PROJECTION.

DO NOT SCALE DRAWING

REVISION. ○

TITLE:  
Dimension drawing for 2910 Series  
Mobile Case Size 2 Black

DWG NO.

CHHMC02BK

A4

SCALE: 1 : 2

SHEET 1 OF 1

	NAME	SIGNED	DATE
DRAWN	IAN PAGANO	I.P.	19/07/13
CHK'D	MATTHEW WALLACE	MJW	19/07/13