

OVERALL ASSEMBLY DIMENSIONS:

EXTERNAL - 144.5 x 80 x 34

INTERNAL 138.5 x 74 x 28

(1) 4x UNIT ASSEMBLY SCREW

(2) 5x INTERNAL MOUNTING SCREWS

BATTERY COVER

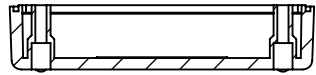
SCREW (1)

LID

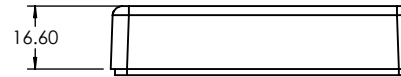
SCREW (2)

BASE

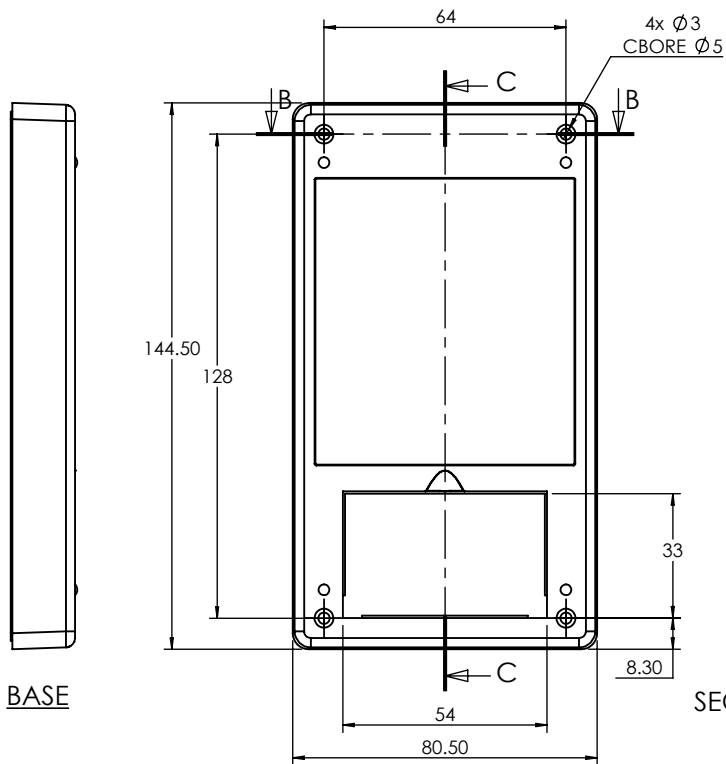
ISO VIEW
1:3



SECTION B-B

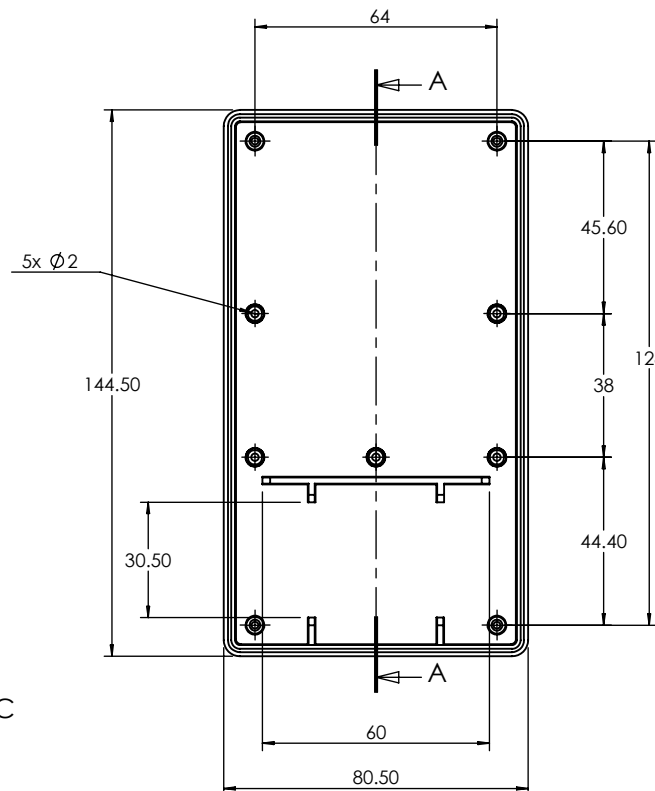


16.60



BASE

SECTION C-C



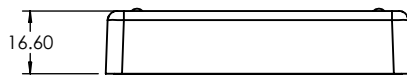
SECTION A-A
SCALE 1 : 2

LID



5

12



16.60

CAMDENBOSS
ELECTRONICS & ENCLOSURES

JAMES CARTER RD, MILDENHALL, SUFFOLK, IP28 7DE
TEL: 01638 716101 FAX: 01638 716554
EMAIL: Sales@CamdenBoss.com
WEB: www.CamdenBoss.com

UNLESS OTHERWISE SPECIFIED:
DIMENSIONS ARE IN MILLIMETERS

GENERAL TOLERANCES +/- 0.2

FINISH: LIGHT SPARK

MATERIAL: ABS

PROJECTION:

DO NOT SCALE DRAWING

REVISION:

TITLE:
Dimension drawing for 2910 Series
Mobile Case Size 2 Grey

DWG NO. **CHHMC02GY**

A4

SCALE: 1 : 2

SHEET 1 OF 1

	NAME	SIGNED	DATE
DRAWN	IAN PAGANO	I.P.	19/07/13
CHK'D	MATTHEW WALLACE	MJW	19/07/13