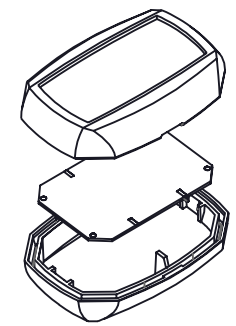
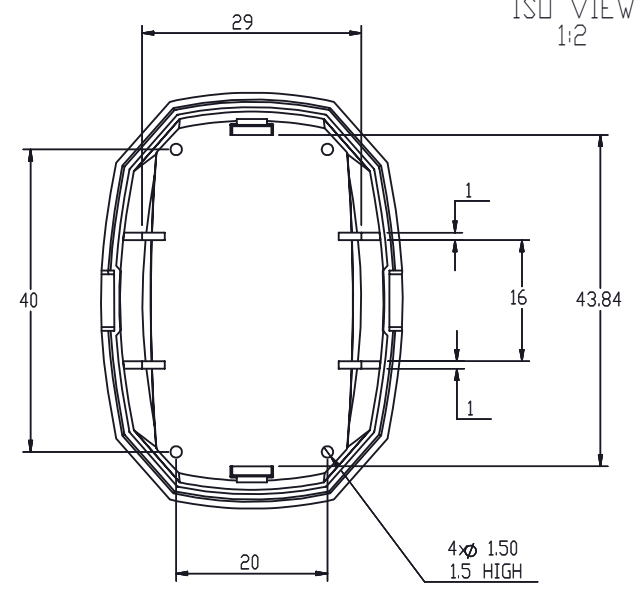
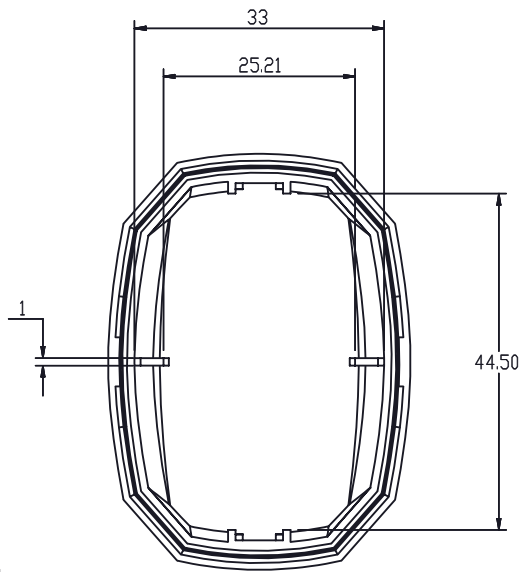
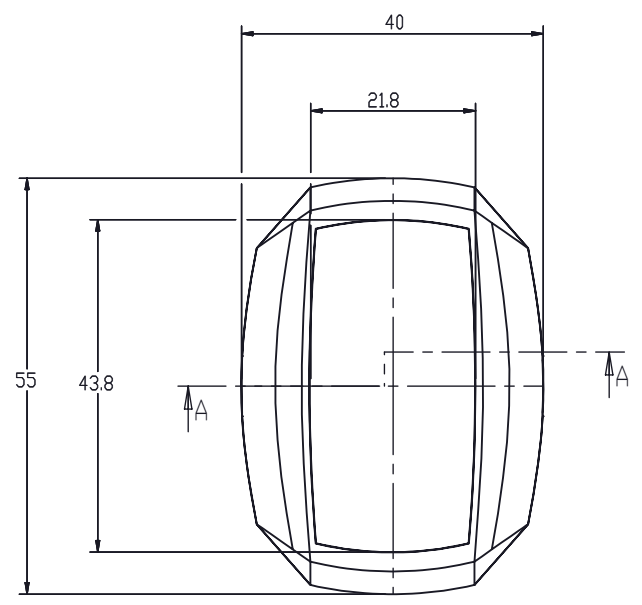


OVERALL ASSEMBLY DIMENSIONS:  
 EXTERNAL - 55 x 40 x 18  
 INTERNAL - 43.8 x 33 max (PCB 29) x 10.6



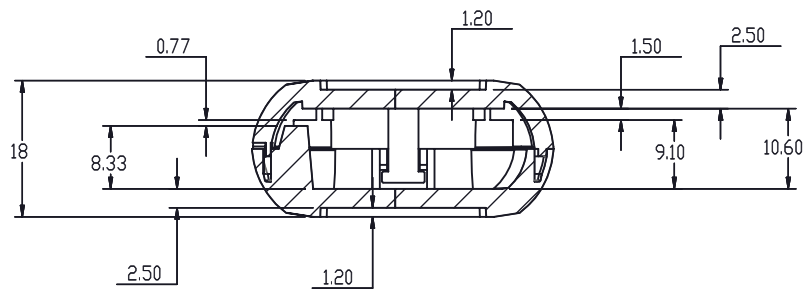
ISO VIEW  
1:2



ASSEMBLY

LID

BASE



 JAMES CARTER RD, MILDENHALL, SUFFOLK, IP28 7DE TEL: 01638 716101 FAX: 01638 716554 EMAIL: Sales@CamdenBoss.com WEB: www.CamdenBoss.com		UNLESS OTHERWISE SPECIFIED: DIMENSIONS ARE IN MILLIMETERS	DO NOT SCALE DRAWING	REVISION: 0						
		FINISH: FINE SPARK	TITLE: GNL ASSEMBLY DRG FOR 62 SERIES - POCK BOX							
DRAWN	IAN PAGANO	SIGNED	I.P.	DATE	06/07/13	MATERIAL:	ABS	DWG NO.	CHH621BLK	A4
CHK'D	-	-	-	-	-	PROJECTION:		SCALE: 1:2	SHEET 1 OF 1	