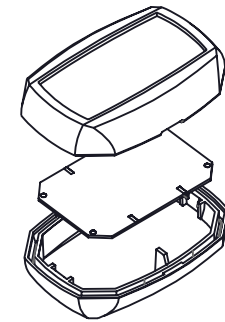
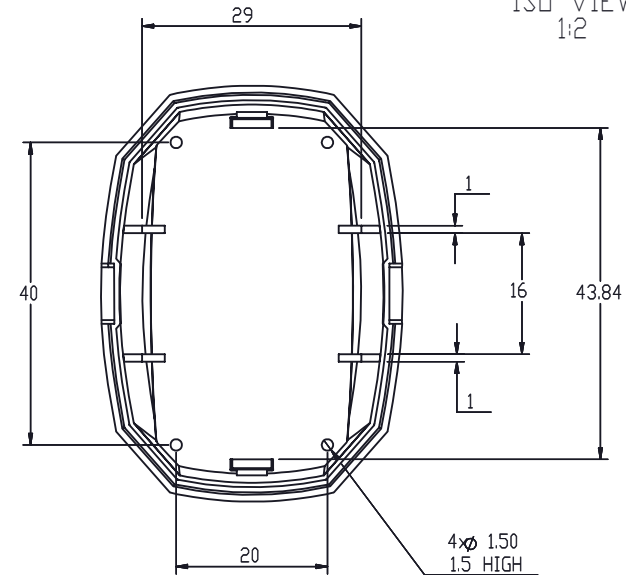
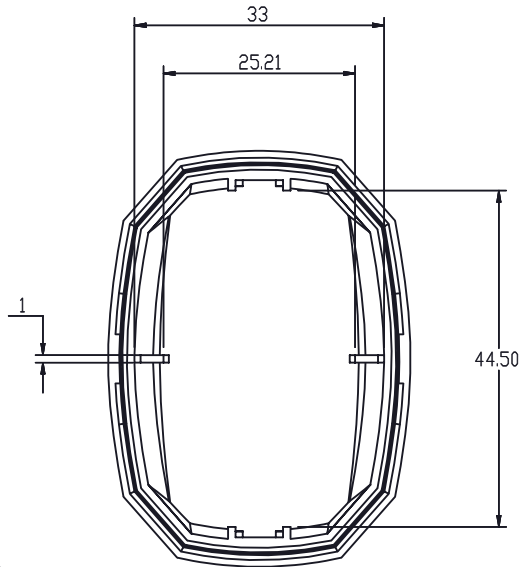
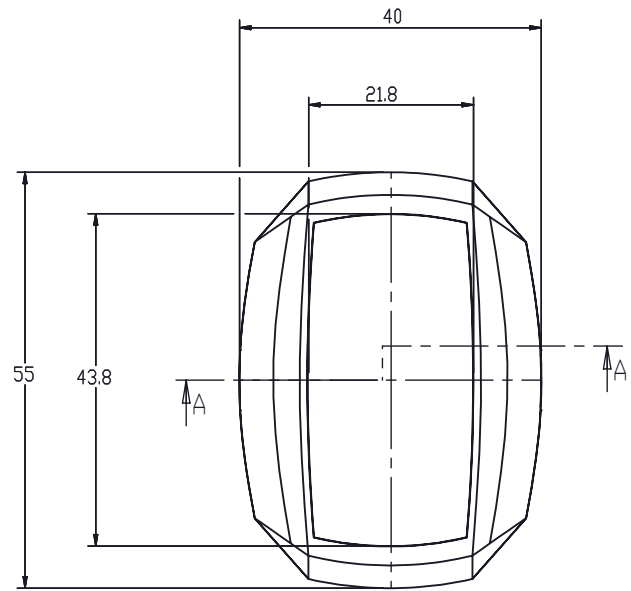


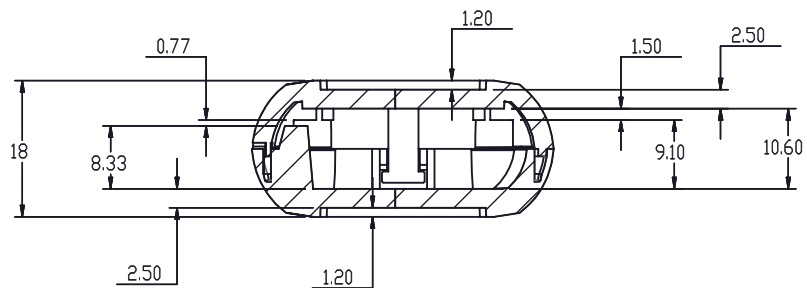
OVERALL ASSEMBLY DIMENSIONS:
 EXTERNAL - 55 x 40 x 18
 INTERNAL - 43.8 x 33 max (PCB 29) x 10.6



ISO VIEW
1:2



ASSEMBLY



LID

BASE

CAMDENBOSS
 ELECTRONICS & ENCLOSURES

JAMES CARTER RD, MILDENHALL, SUFFOLK, IP28 7DE
 TEL: 01638 716101 FAX: 01638 716554
 EMAIL: Sales@CamdenBoss.com
 WEB: www.CamdenBoss.com

UNLESS OTHERWISE SPECIFIED:
 DIMENSIONS ARE IN MILLIMETERS

DO NOT SCALE DRAWING

REVISION: 0

FINISH:
 FINE SPARK

TITLE: GNL ASSEMBLY DRG FOR
 62 SERIES - POCK BOX

	NAME	SIGNED	DATE
DRAWN	IAN PAGANO	I.P.	06/07/13
CHK'D	-	-	-

MATERIAL:
 ABS

DWG NO. CHH621GRY

A4

PROJECTION:

SCALE: 1 : 2

SHEET 1 OF 1