

1 2 3 4 5 6

A

B

C

D

A

B

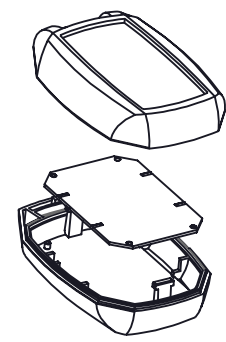
C

D

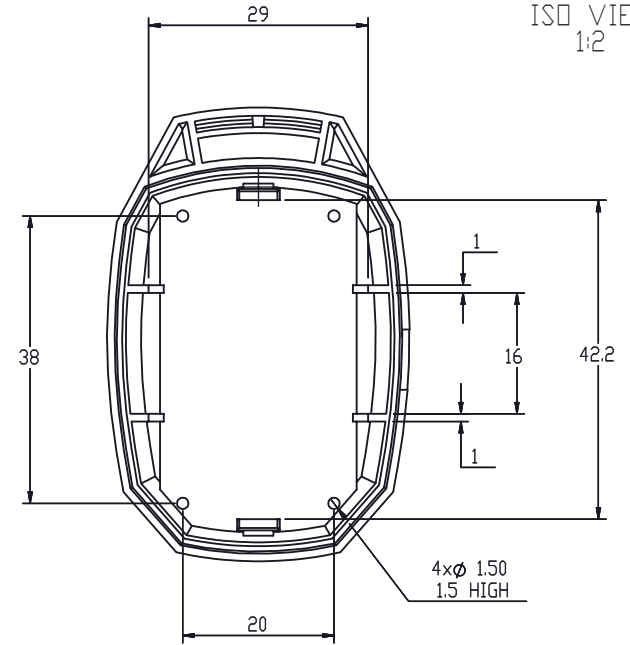
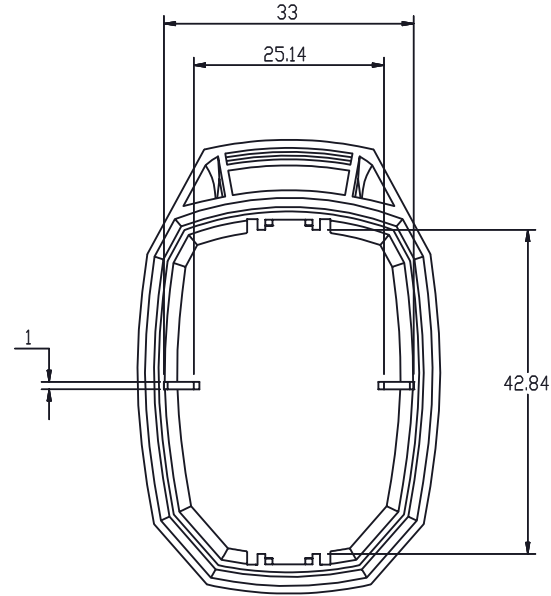
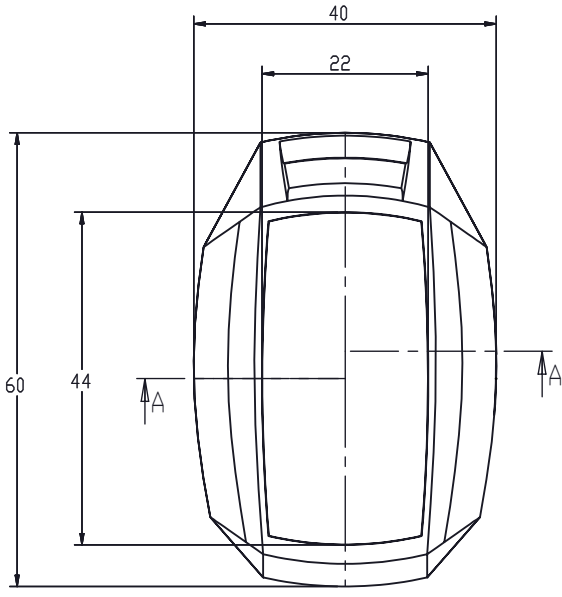
OVERALL ASSEMBLY DIMENSIONS:

EXTERNAL - 55 x 40 x 18

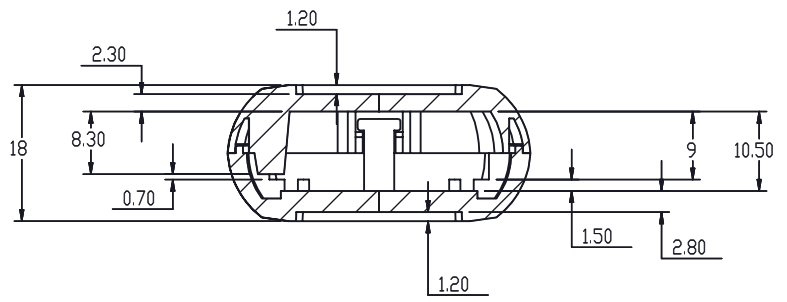
INTERNAL - 42 x 33 max (PCB 29) x 10.6



ISO VIEW
1:2



ASSEMBLY



LID

BASE

		UNLESS OTHERWISE SPECIFIED: DIMENSIONS ARE IN MILLIMETERS		DO NOT SCALE DRAWING	REVISION: 0
		FINISH: FINE SPARK		TITLE: GNL ASSEMBLY DRG FOR FOR 62 SERIES - POCK BOX	
JAMES CARTER RD, MILDENHALL, SUFFOLK, IP28 7DE TEL: 01638 716101 FAX: 01638 716554 EMAIL: Sales@CamdenBoss.com WEB: www.CamdenBoss.com		MATERIAL: ABS	DWG NO. CHH622BLK	A4	
DRAWN: IAN PAGANO	SIGNED: I.P.	DATE: 06/07/13	PROJECTION:	SCALE: 1 : 1	SHEET 1 OF 1

1 2 3