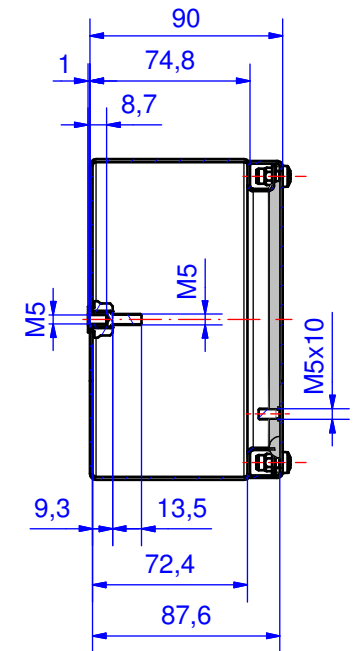
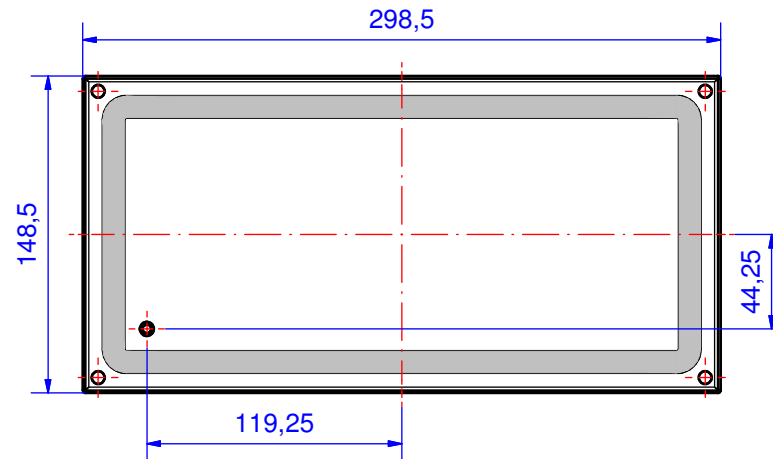
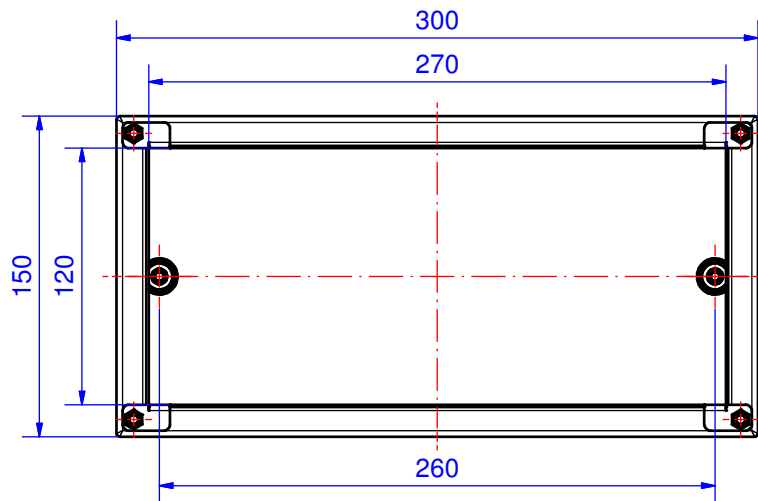


# Enclosure series inoBOX

Type: IBF 154

Material-No.: 244.154.000



Enclosure material	V2A, 1.4301 (AISI 304)		Weight	2,0 kg
Lid screws	4x V2A, captive		Sheet thickness	1,2 mm
Gasket	Polyurethane, dosed gasket		Surface	Grinded, Scotch-Brite
Ingress protection	IP66 EN 60529		Tolerance	DIN ISO 2768-m DIN 6935