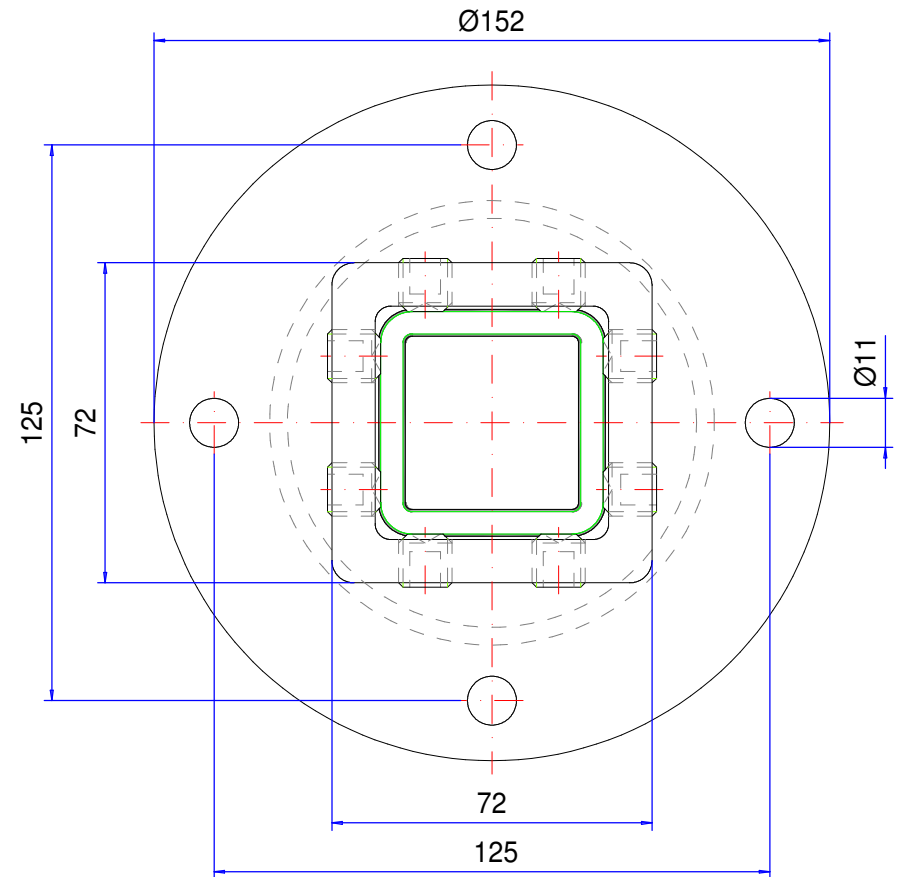
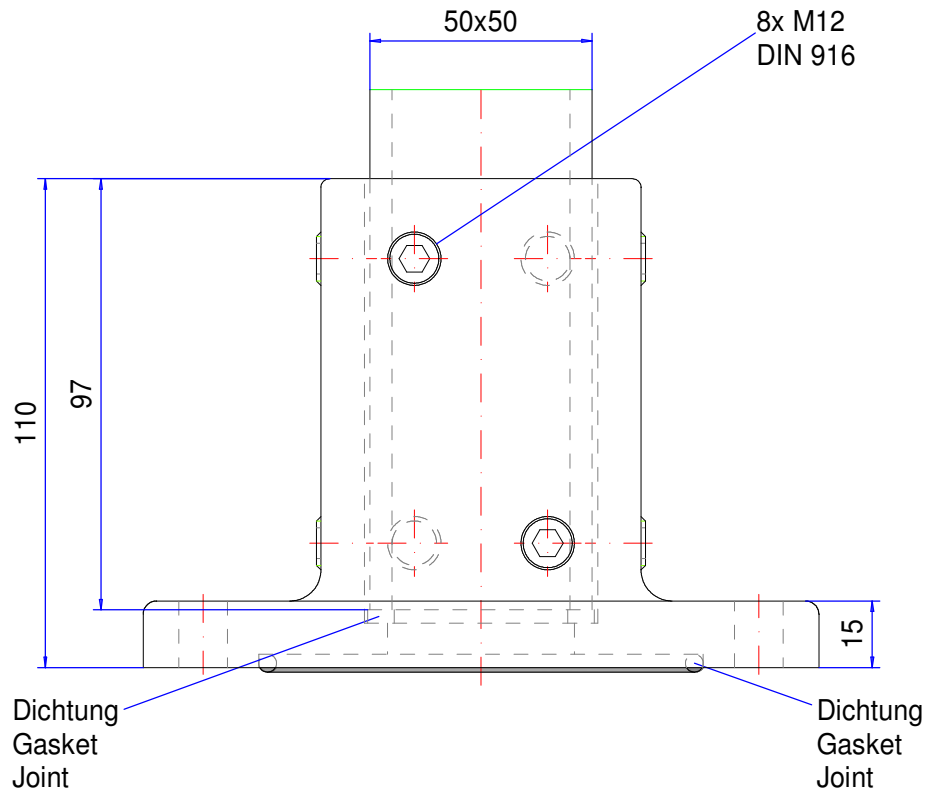


Suspension-system Quadro 50

Type: Base

Material-No.: 147.030.000



Material system elements	GGG-40 (DIN 1693)		Pivoting range	---
Gasket	Chloroprene (CR), black		Weight	3,250 kg
Assembly screws	8x M12, galvanized steel		Coating	Powder coating RAL 7040, window grey
Ingress protection	IP54 EN 60529		Tolerance	GTA 14/5 DIN 1688-3 (outside dimensions $\pm 0,8$ mm)