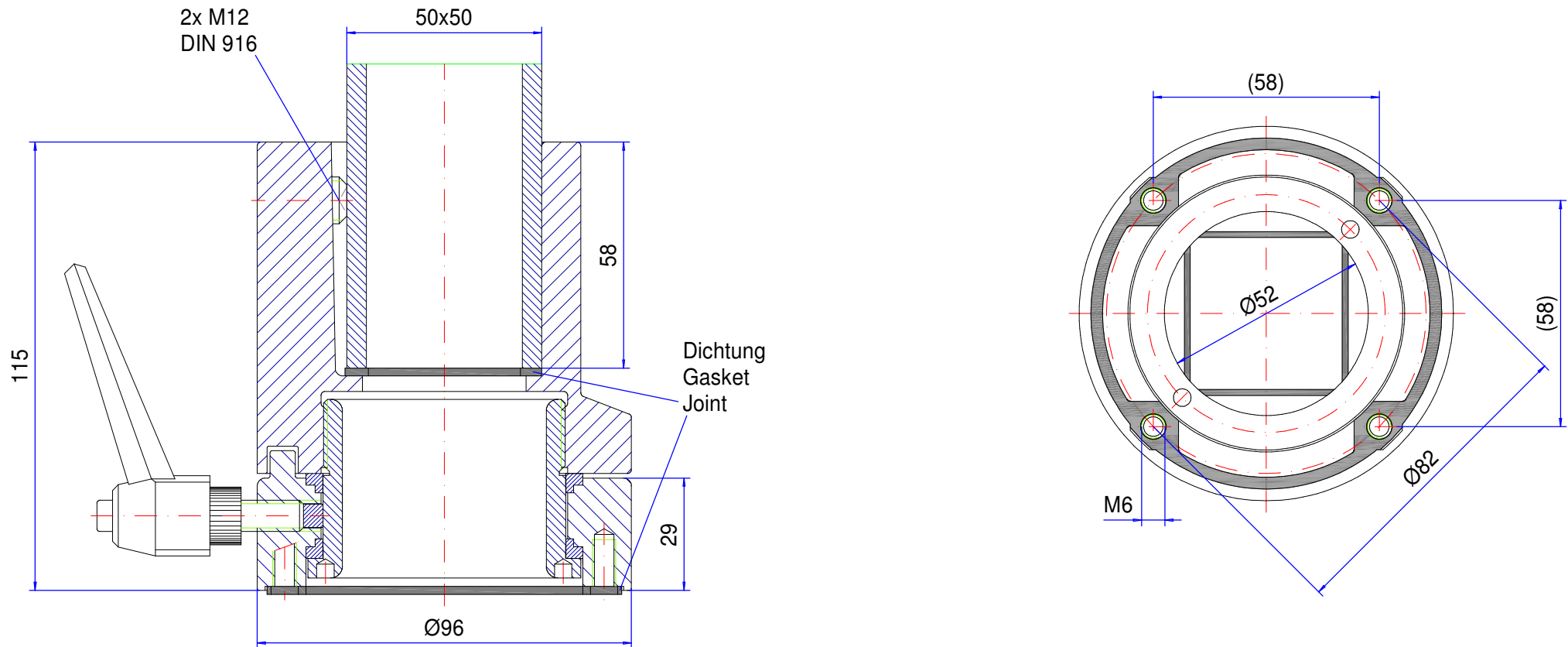



Suspension-system Quadro 50

Type: Coupling

Material-No.: 147.025.500



Material system elements	GK-Al Si 12 (DIN1725)		Pivoting range	300°
Gasket	Chloroprene (CR), black		Weight	1,250 kg
Assembly screws	2x M12, galvanized steel		Coating	Powder coating RAL 7040, window grey
Ingress protection	IP54 EN 60529		Tolerance	GTA 14/5 DIN 1688-3 (outside dimensions ±0,8mm)