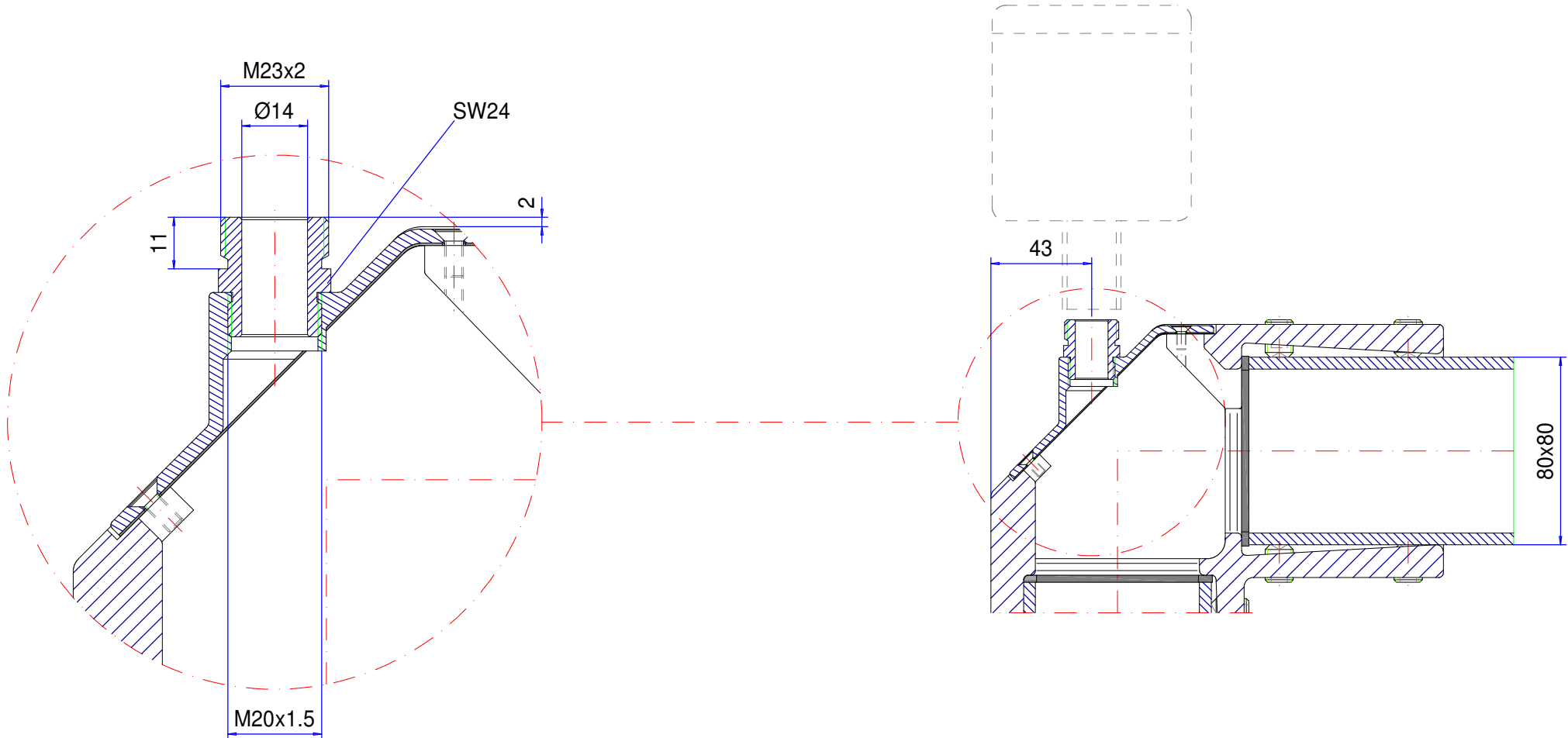


Suspension-system Quadro 80

Type: Control lamp adapter

Material-No.: 147.020.701



Material system elements	GK-Al Si 12 (DIN1725)		Pivoting range	---
Gasket	Chloroprene (CR), black		Weight	0,080 kg
Assembly screws	---		Coating	Powder coating RAL 7035, light grey
Ingress protection	IP54 EN 60529		Tolerance	GTA 14/5 DIN 1688-3 (outside dimensions ±0,8mm)