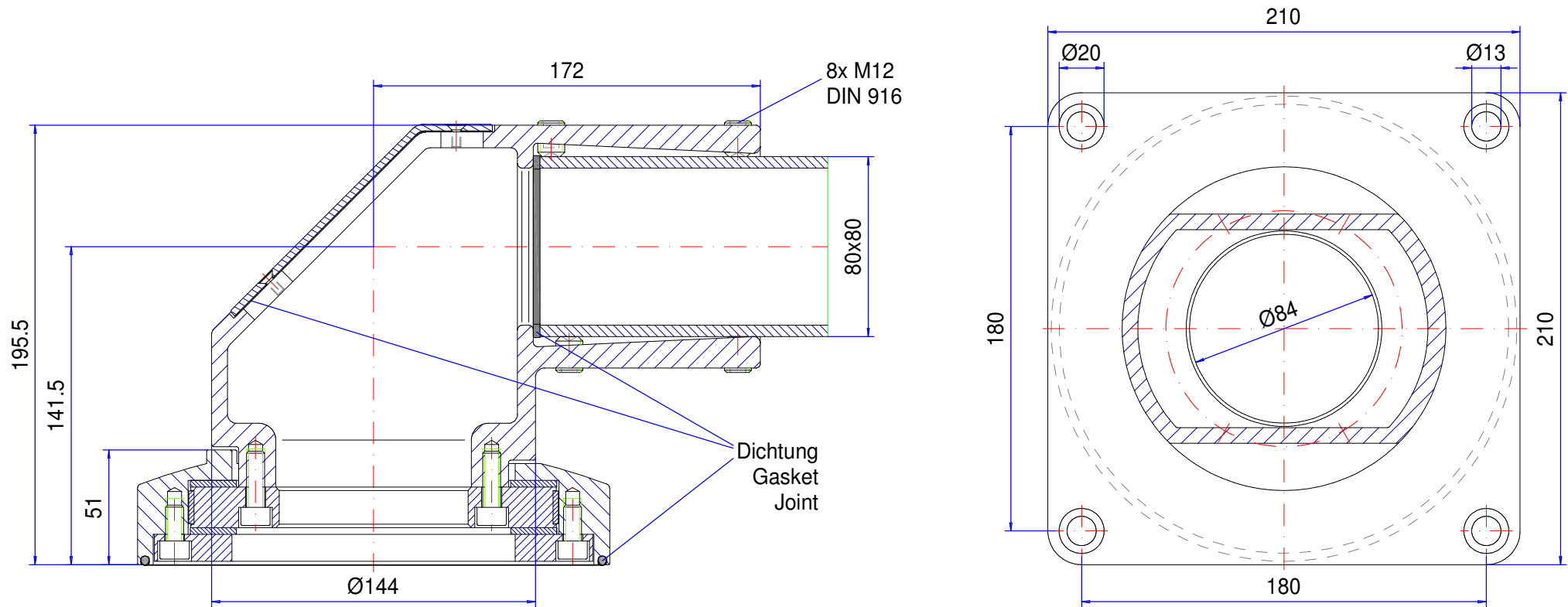


Suspension-system Quadro 80

Type: Socket joint

Material-No.: 147.005.700



Material system elements	GGG-40 (DIN 1693)		Pivoting range	300°
Gasket	Chloroprene (CR), black		Weight	15,700 kg
Assembly screws	8x M12, galvanized steel		Coating	Powder coating RAL 7040, window grey
Ingress protection	IP54 EN 60529		Tolerance	GTA 14/5 DIN 1688-3 (outside dimensions $\pm 0,8\text{mm}$)