

# Suspension-system Quadro 80

Type: Square tube 80x80

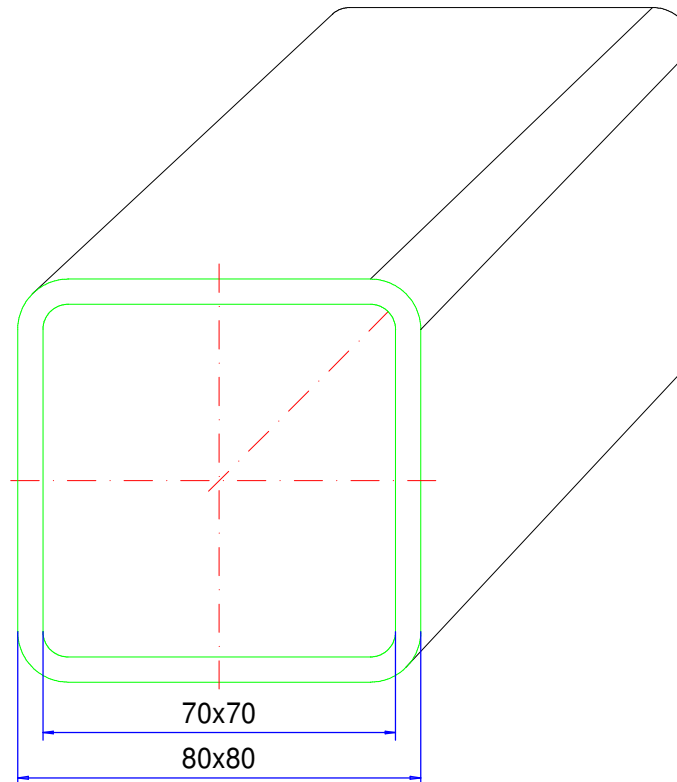
Material-No.: 144.04\*.\*\*\*

144.040.500 (L= 500 mm)

144.041.000 (L= 1000 mm)

144.041.500 (L= 1500 mm)

144.042.000 (L= 2000 mm)



Material system elements	Welded precision steel		Pivoting range	---
Gasket	---		Weight	4,650 kg
Assembly screws	---		Coating	Powder coating RAL 7035, light grey
Ingress protection	IP54 EN 60529		Tolerance	EN 10305-4 (DIN 2391)