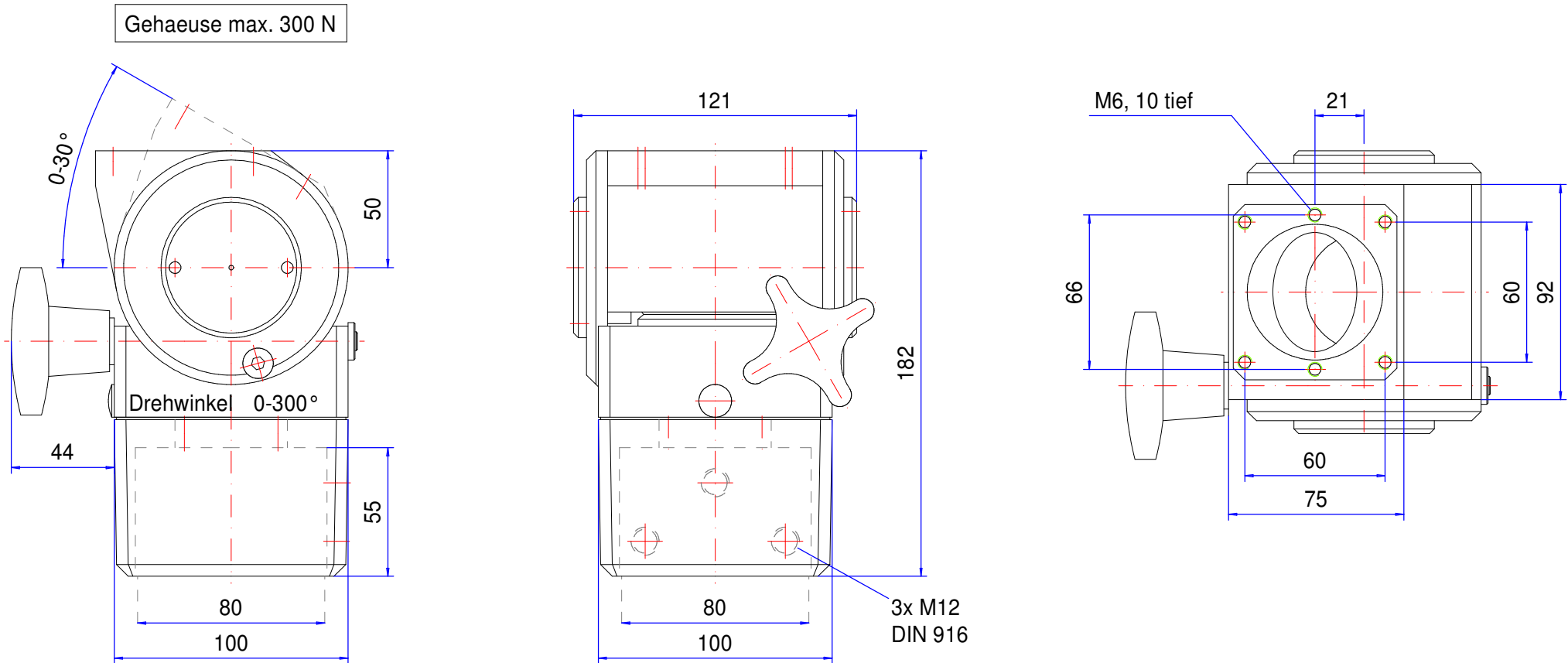



Suspension-system Quadro 80

Type: Inclination coupling

Material-No.: 147.025.202



Material system elements	GK-AI Si 12 (DIN1725)		Pivoting range	---
Gasket	Chloroprene (CR), black		Weight	2,900 kg
Assembly screws	---		Coating	Powder coating RAL 7040, window grey
Ingress protection	IP54 EN 60529		Tolerance	GTA 14/5 DIN 1688-3 (outside dimensions ±0,8mm)