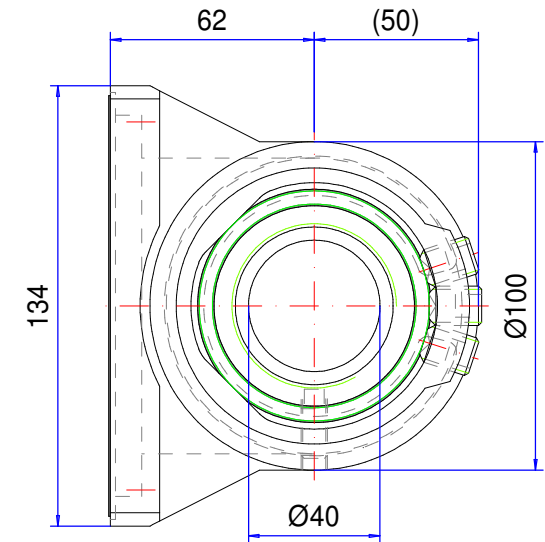
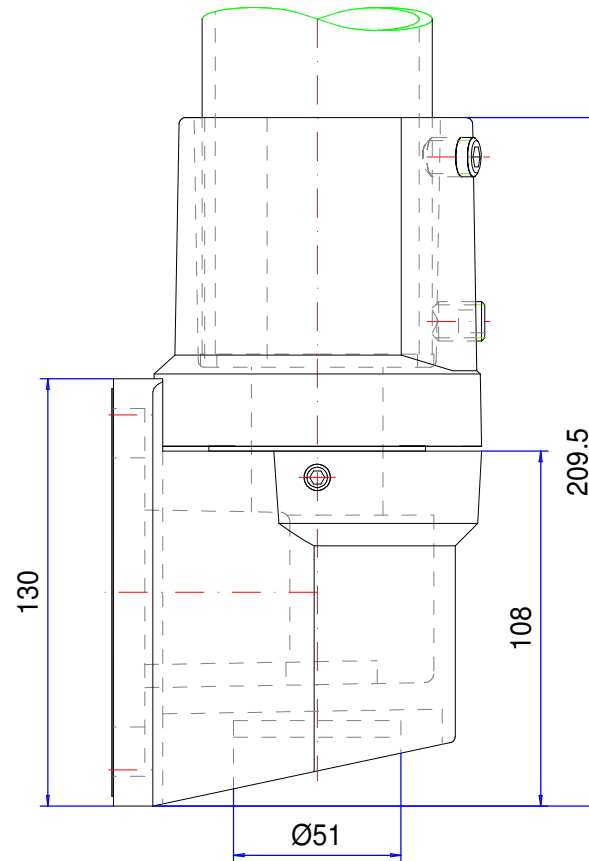
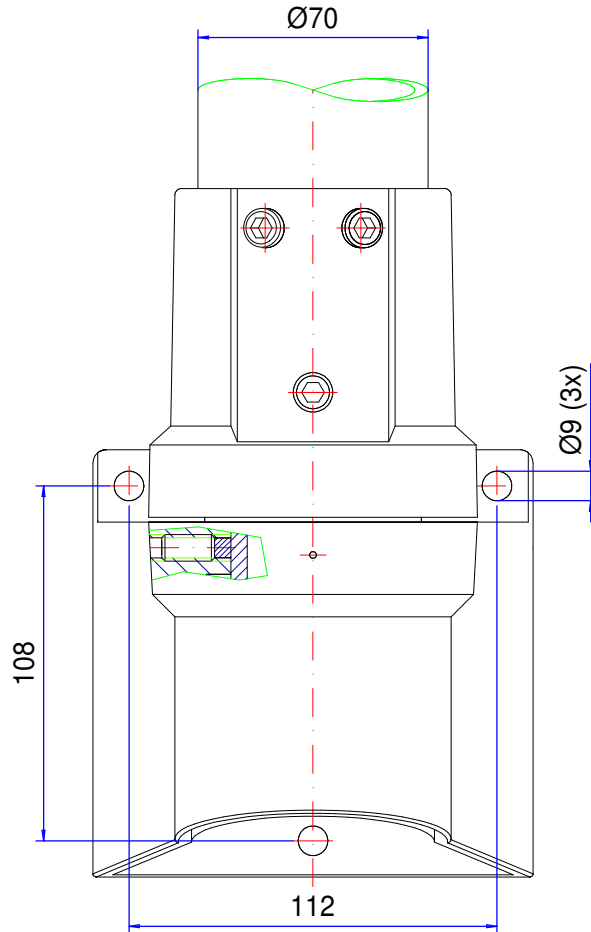



# Suspension-system taraPLUS

Type: Wall joint vertical

Material-No.: 149.010.011



|                          |                          |   |                |  |
|--------------------------|--------------------------|---|----------------|--|
| Material system elements | GK-Al Si 12 (DIN 1725)   |  | Pivoting range | 316°   |
| Gasket                   | Chloroprene (CR), black  |   | Weight         | 2,000 kg   |
| Assembly screws          | 3x M12, galvanized steel |   | Coating        | Powder coating RAL 7031, blue grey                           |
| Ingress protection       | IP54 EN 60529            |   | Tolerance      | GTA 14/5 DIN 1688-3 (outside dimensions $\pm 0,8\text{mm}$ ) |
|                          |                          |   |                |  |