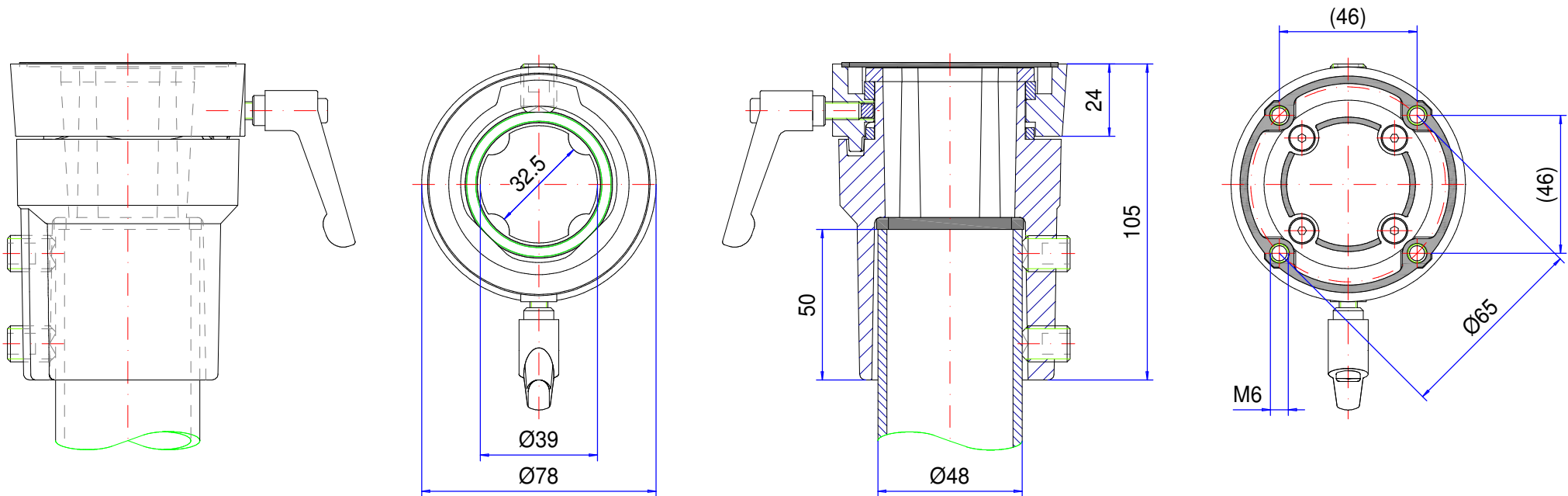



Suspension-system taraPLUS

Type: Rotary coupling, standing

Material-No.: 149.025.511



| | | | | |
|--------------------------|--------------------------|---|----------------|---|
| Material system elements | GD-Al Si 12 (DIN 1725) |  | Pivoting range | 300° |
| Gasket | Chloroprene (CR), black | | Weight | 0,480 kg |
| Assembly screws | 2x M12, galvanized steel | | Coating | Powder coating RAL 7031, blue grey |
| Ingress protection | IP54 EN 60529 | | Tolerance | GTA 14/5 DIN 1688-3 (outside dimensions ±0,8mm) |