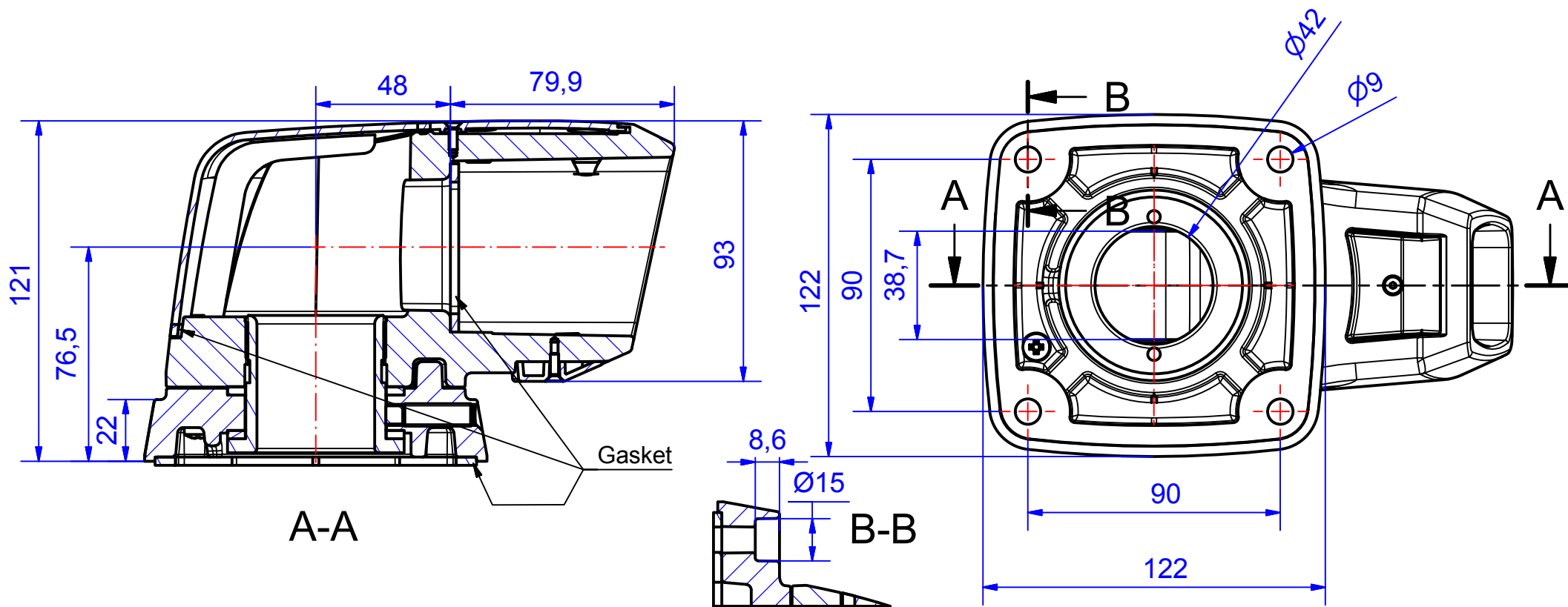


# Suspension-System taraSMART



Type: Socket joint  
 Material-No.: 141.005.000



Suspension system material	Die-cast aluminium		Covers	Thermoplastic / RAL 7016
Gasket	Chloroprene (CR), black		Bending range	300°
Mounting screws	6xM12, galvanized steel		Weight	2200 g
Ingress protection	IP54 EN 60529		Surface	Powder coating RAL 7035, light grey
			Tolerance	Outside dimensions $\pm 0,8$ mm, others DIN ISO 8062-3 DCTG 5