

# Suspension-System taraSMART

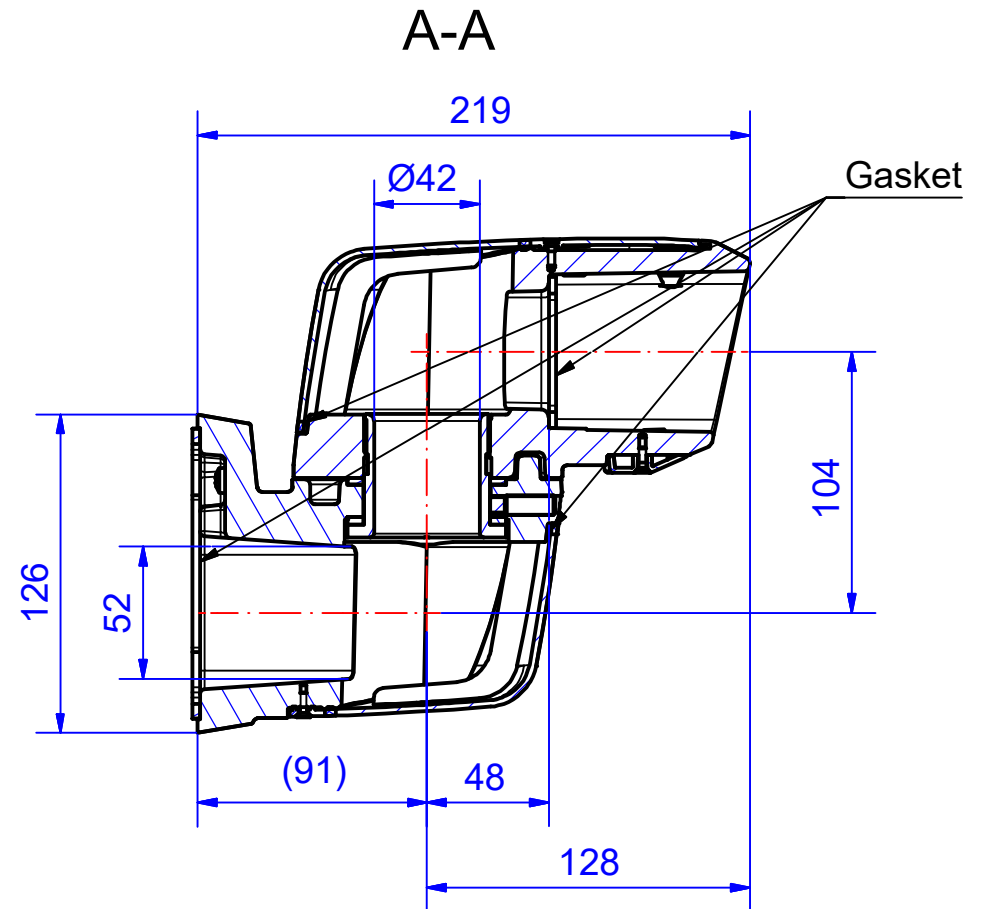
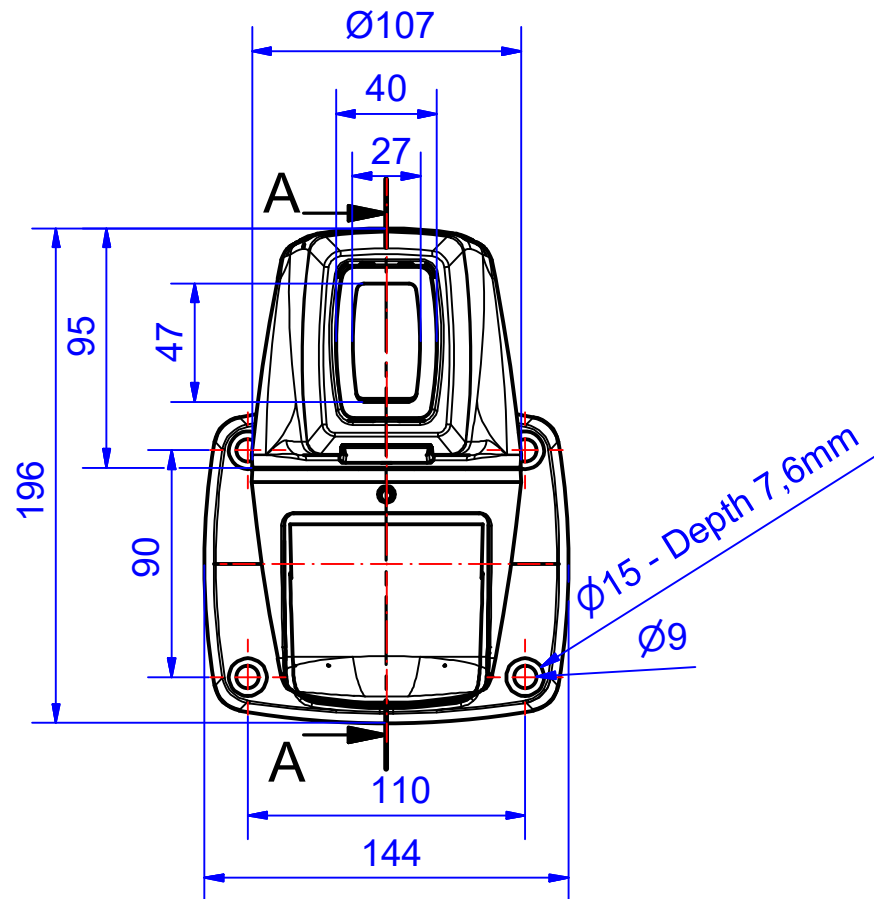


Type:

Wall joint

Material-No.:

141.010.000



Suspension system material	Die-cast aluminium		Covers	Thermoplastic/ RAL 7016
Gasket	Chloroprene (CR), black		Bending range	max. 230°
Mounting screws	6xM12		Weight	approx. 3.200 g
Ingress protection	IP54 EN 60529		Surface	Powder coating RAL 7035, light grey
			Tolerance	Outside dimensions $\pm 0,8\text{mm}$ , others DIN EN ISO 8062-3 DCTG 5