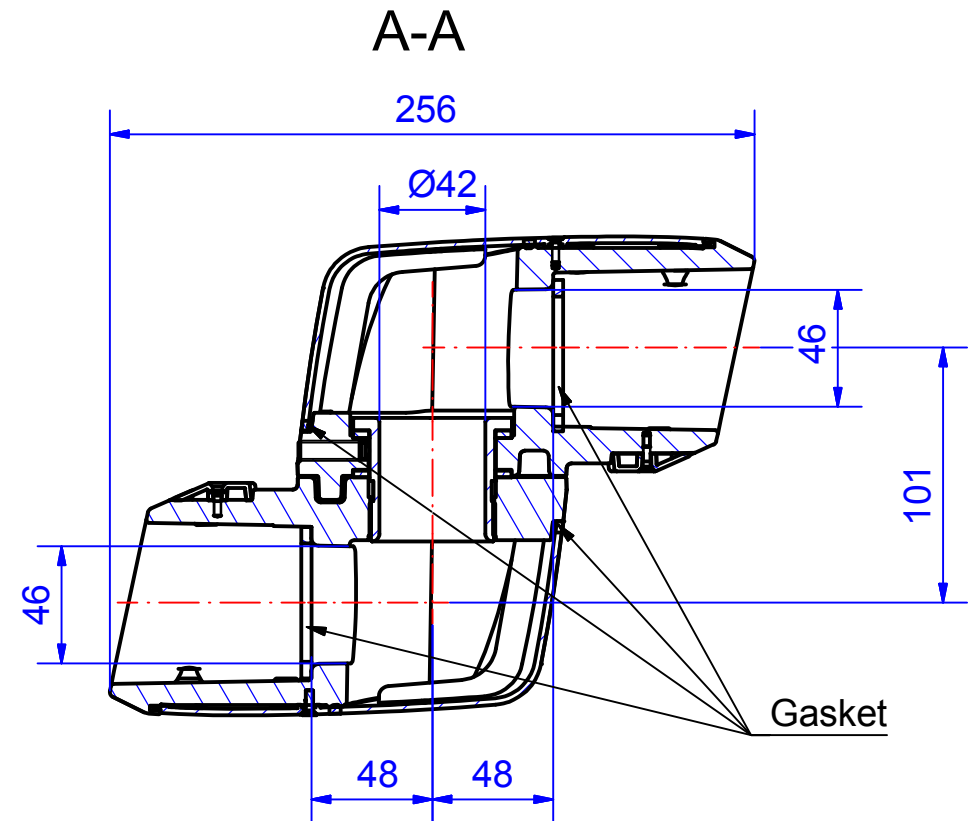
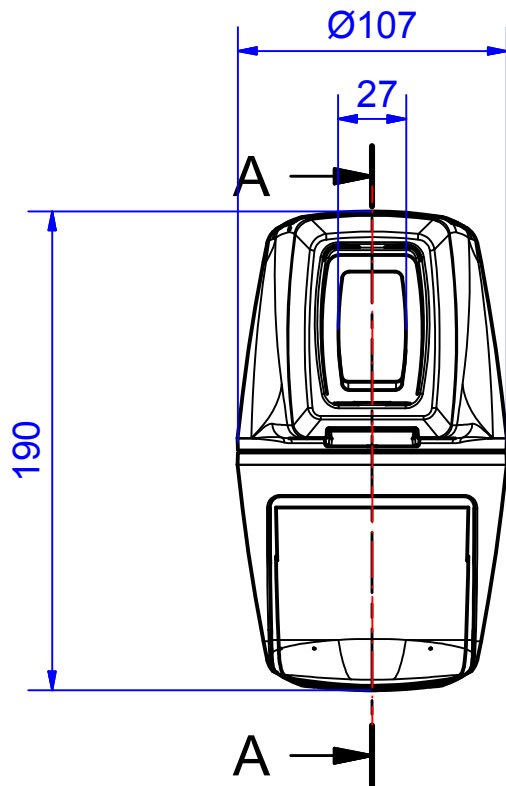


Suspension-System taraSMART



Type: Intermediate joint

Material-No.: 141.015.000



			Covers	Thermoplastic / RAL 7016
Suspension system material	Die-cast aluminium		Bending range	max. 300°
Gasket	Chloroprene (CR), black		Weight	3.000 g
Mounting screws	12x M12, galvanized steel		Surface	Powder coating RAL 7035, light grey
Ingress protection	IP54 EN 60529		Tolerance	Outside dimensions $\pm 0,8\text{mm}$; others DIN EN ISO 8062-3 DCTG 5