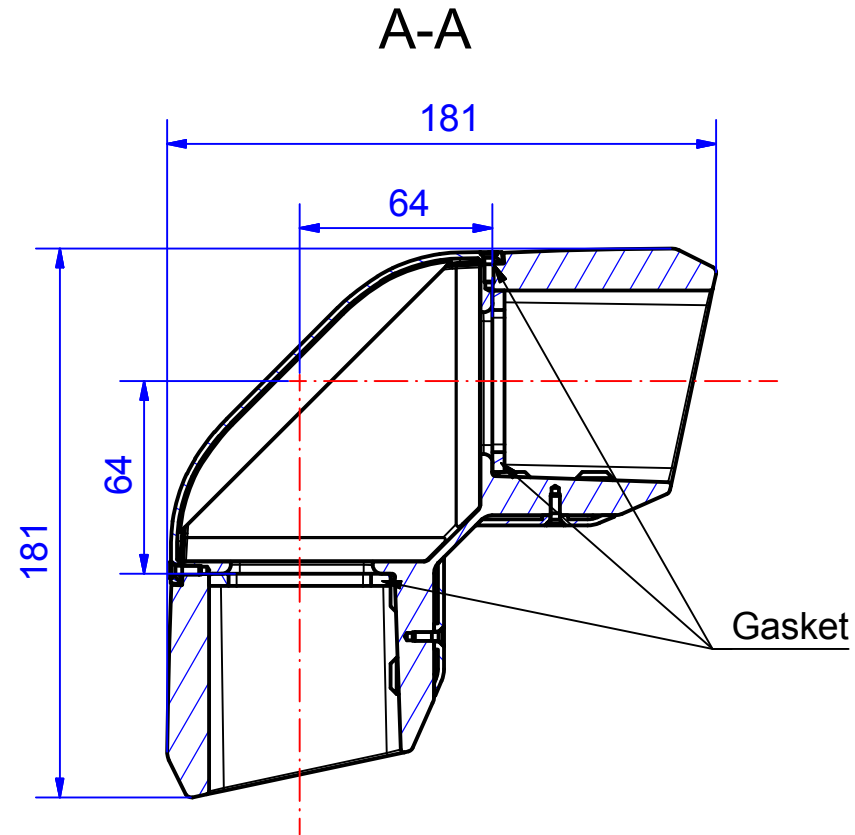
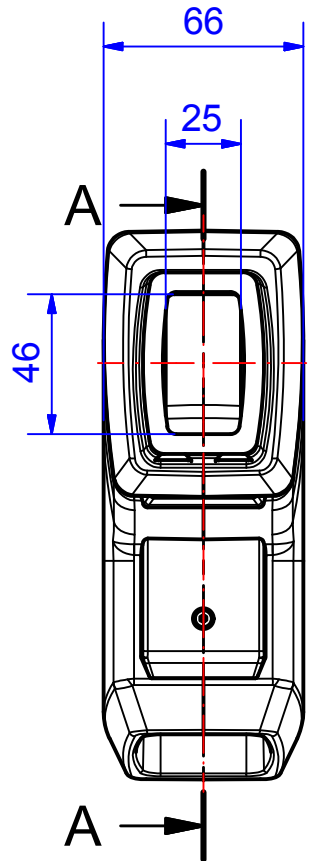


Suspension-System taraSMART



Type: Elbow profile

Material-No.: 141.020.000



Suspension system material	Die-cast aluminium		Cover	Thermoplastic / RAL 7016
Gasket	Chloroprene (CR), black		Weight	Approx. 1500 g
Mounting screws	8x M12, galvanized steel		Surface	Powder coating RAL 7035, light grey
Ingress protection	IP54 EN 60529		Tolerance	Outside dimensions $\pm 0,8\text{mm}$, others DIN ISO 8062-3 DCTG 5