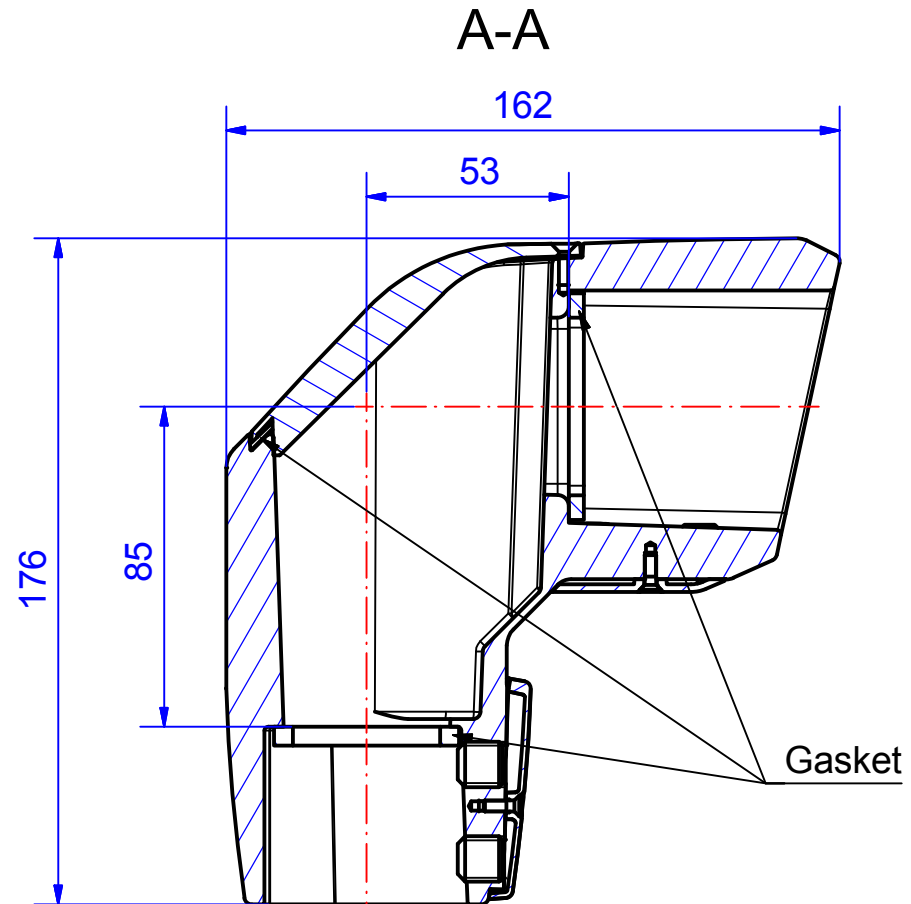
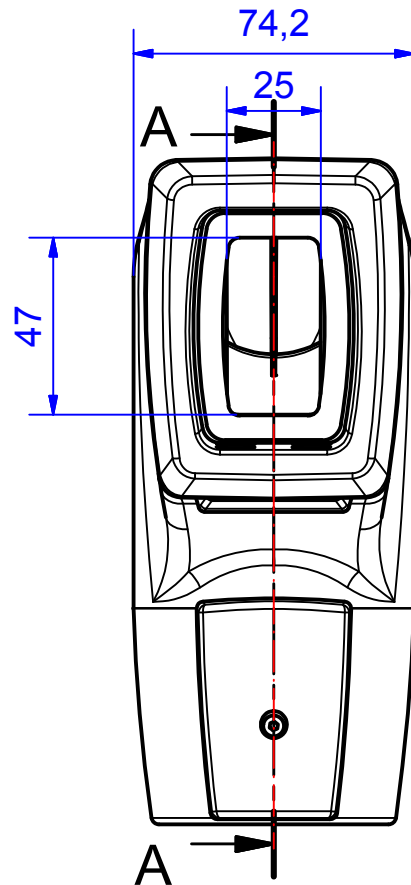


# Suspension-System taraSMART



Type: Elbow Ø48

Material-No.: 141.020.001



Suspension system material	Die-cast aluminium		Covers	Thermoplastic / RAL 7016
Gasket	Chloroprene (CR), black		Weight	approx. 1.700 g
Mounting screws	6x M12, galvanized steel		Surface	Powder coating RAL 7035, light grey
Ingress protection	IP54 EN 60529		Tolerance	Outside dimensions ±0,8mm; others DIN EN ISO 8062-3 DCTG 5