

# Suspension-System taraSMART

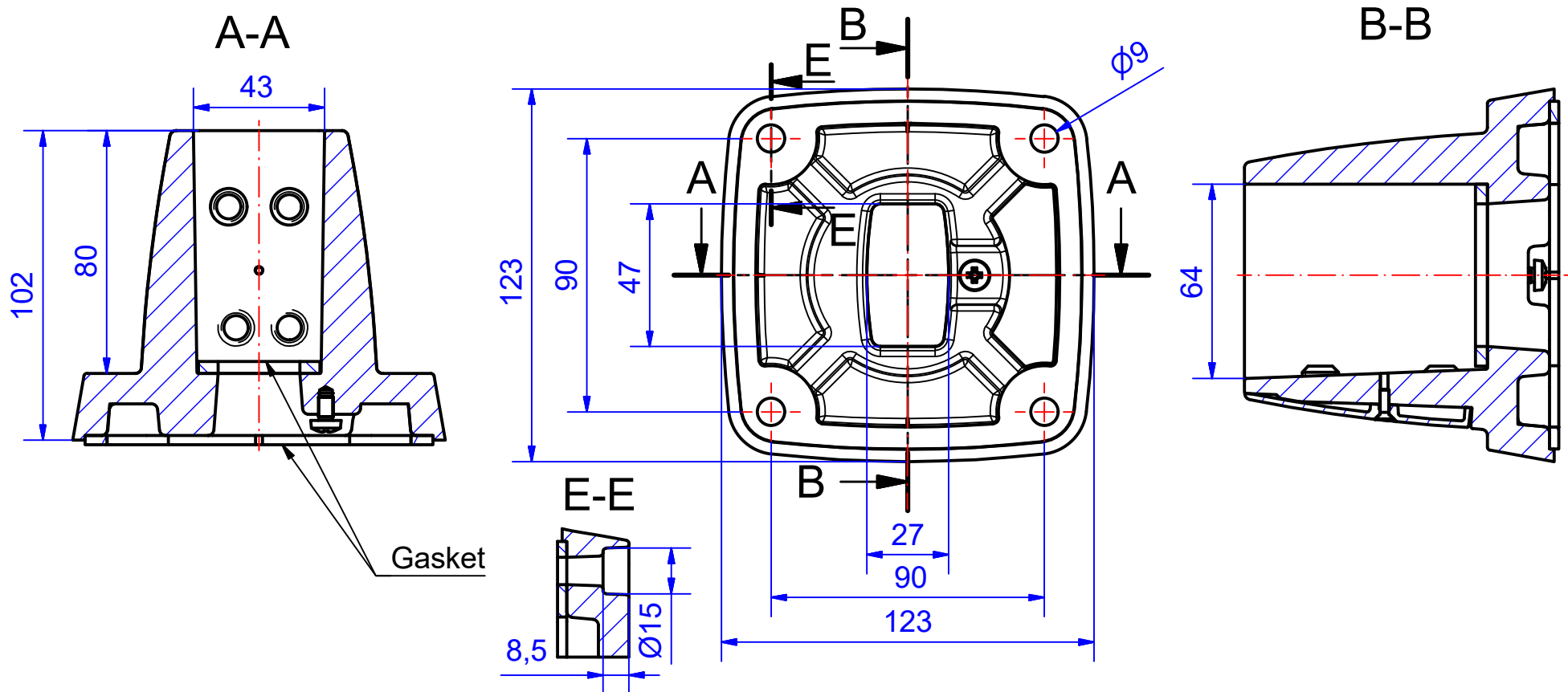


Type:

Base

Material-No.:

141.030.000



Suspension system material	Die-cast aluminium		Cover	Thermoplastic / RAL 7016
Gasket	Chloroprene (CR), black		Weight	approx. 1.100g
Mounting screws	4x M8, galvanized steel		Surface	Powder coating RAL 7035, light grey
Ingress protection	IP54 EN 60529		Tolerance	Outside dimensions ±0,8mm; others DIN EN ISO 8062-3 DCTG 5