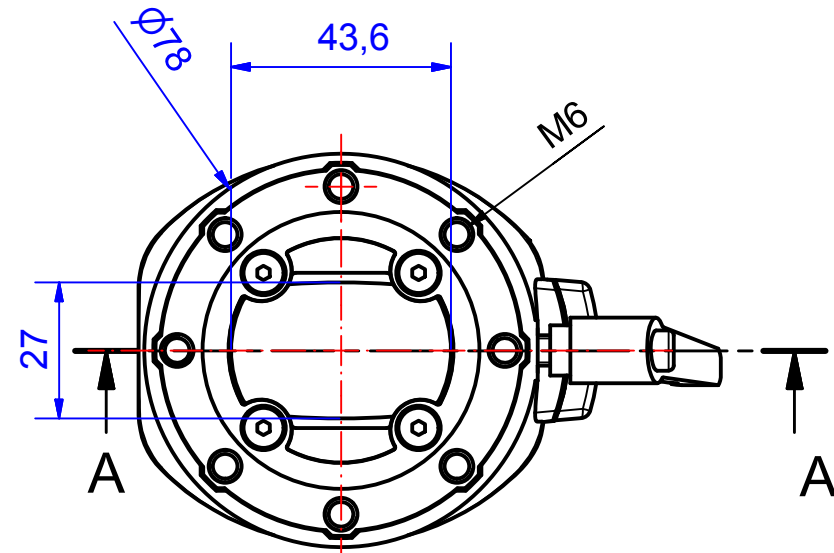
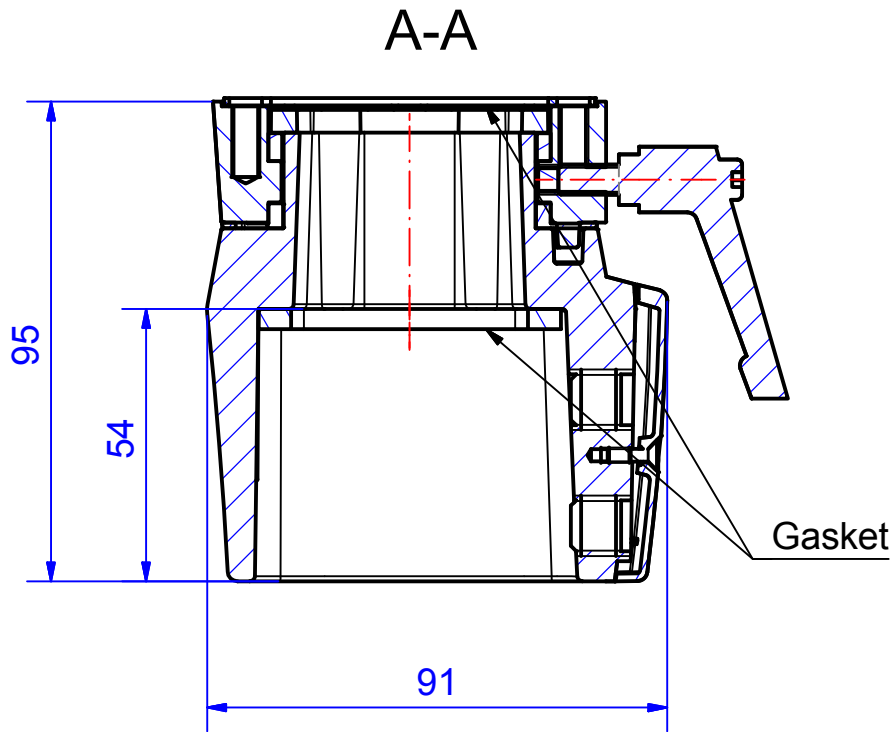


Suspension-System taraSMART



Type: Coupling profile

Material-No.: 141.025.000



			Cover	Thermoplastic / RAL 7016
Suspension system material	Die-cast aluminium		Bending range	310°
Gasket	Chloroprene (CR), black		Weight	660g
Mounting screws	2xM12, galvanized steel		Surface	Powder coating RAL 7035, light grey
Ingress protection	IP54 EN 60529		Tolerance	Outside dimensions ±0,8mm, others DIN EN ISO 8062-3 DCTG 5