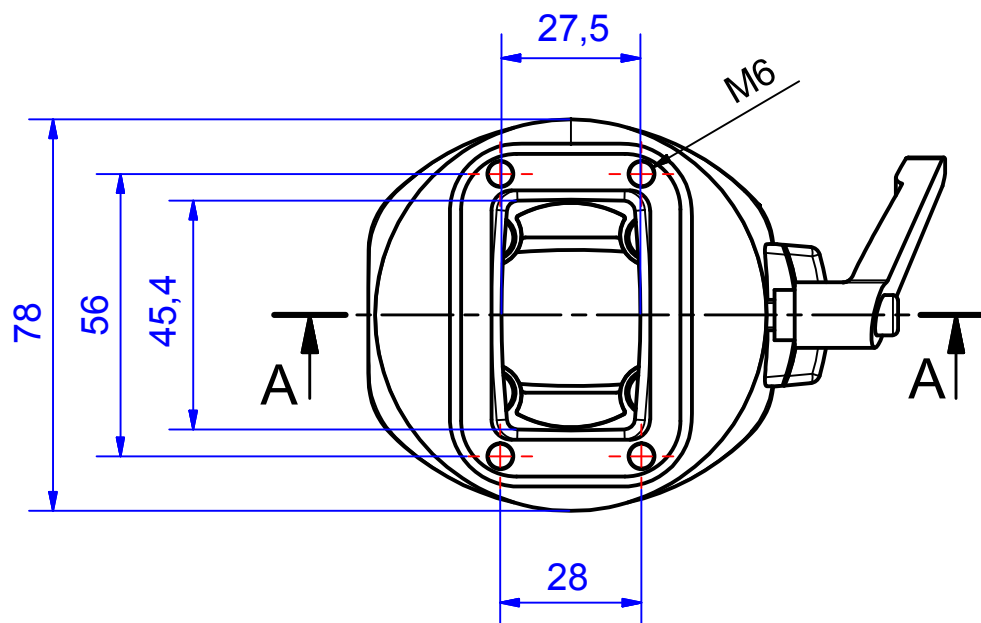
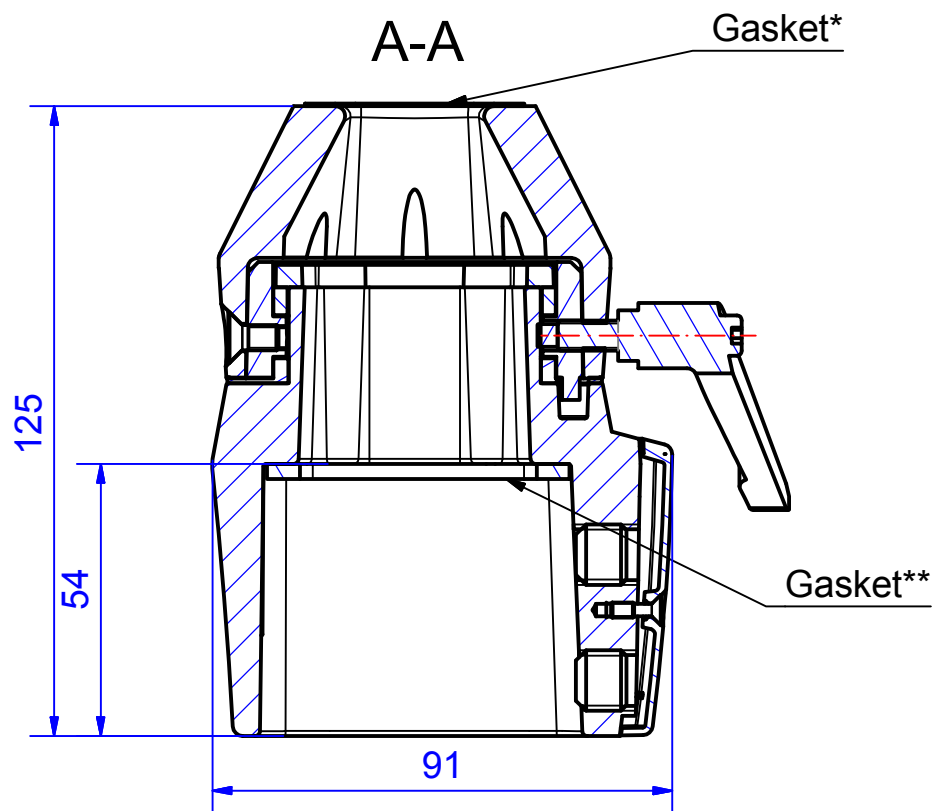



Suspension-System taraSMART



Type: Panel coupling profile

Material-No.: 141.025.500



			Cover	Thermoplastic / RAL 7016
Suspension system material	Die-cast aluminium		Bending range	max. 320°
Gasket	*Paper gasket / **Chloroprene (CR)		Weight	970g
Mounting screws	2xM12, galvanized steel		Surface	Powder coating RAL 7035, light grey
Ingress protection	IP54 EN 60529		Tolerance	Outside dimensions ±0,8mm; others DIN EN ISO 8062-3 DCTG 5