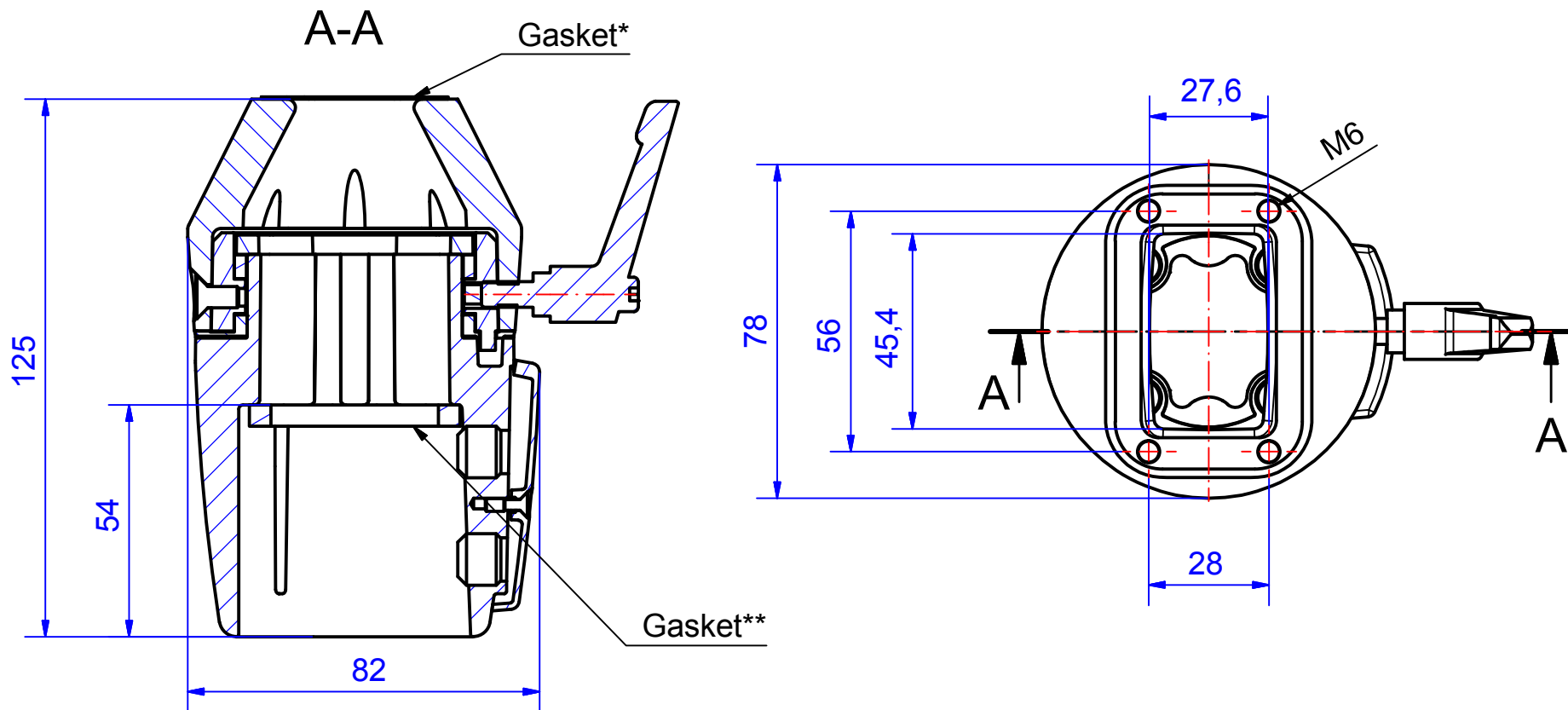


Suspension-System taraSMART



Type: Panel coupling Ø48

Material-No.: 141.025.501



| | | | | |
|----------------------------|------------------------------------|--|---------------|--|
| | | | Cover | Thermoplastic / RAL 7016 |
| Suspension system material | Die-cast aluminium | | Bending range | max. 320° |
| Gasket | *Paper gasket / **Chloroprene (CR) | | Weight | 880g |
| Mounting screws | 2xM12, galvanized steel | | Surface | Powder coating RAL 7035, light grey |
| Ingress protection | IP54 EN 60529 | | Tolerance | Outside dimensions ±0,8mm; others DIN EN ISO 8062-3 DCTG 5 |